

Our slimmest cistern

Sigma concealed cistern 75 mm
for wall-hung toilets

Know-how
from
Switzerland

Geberit inwall cisterns hit all the right buttons

Easy to install, tough and virtually maintenance free

Geberit has the most extensive product range of inwall cisterns on the market and now introduces our slimmest cistern ever produced. A Duofix cistern frame slim enough to fit between 500 mm studs in a cavity of 75 mm.

We all know that inwall sanitary technology is the way of the future. For the trade, it can't come soon enough as inwall cisterns save time, require less tools during installation and are virtually service free. For your clients, an inwall cistern means a sleek, contemporary bathroom with more space. The toilet system consists of a frame that integrates the cistern into the wall, a pan and a beautifully designed plate for flush actuation.

Geberit has developed the widest range of 4 star WELS rated inwall cisterns available in Australia. With a dual-flush system of 4.5/3L or 6/3L, this reduces water volume considerably with every flush. With significant investment in research and development, Geberit ensures that the manufacturing process of all products comply with the highest standards in environmental protection.

You can match a Geberit inwall cistern with any approved manufacturer's pan. Just match the WELS Star rating of the pan and cistern for accurate operation.

Since 1964, Geberit inwall cisterns have stood for quality and reliability. They are easy to install, with a 10 year limited warranty on cistern tank and Duofix installation frame and 25 year spare parts supply guarantee (exclusions apply).*



Art. No.: 111.755.00.1 WELS **☆☆☆**

Duofix for wall-hung WC with Sigma concealed cistern 75 mm front actuation, 6/3L



Art. No.: 111.756.00.1 WELS **☆☆☆☆**

Duofix for wall-hung WC with Sigma concealed cistern 75 mm front actuation, 4.5/3L

* For detailed information on our manufacturer's warranty refer to our website, www.geberit.com.au or contact Geberit on +61 2 9889 7866



For the trade, 10 advantages of Geberit inwall cisterns

The inwall cistern you'd install in your own home



1. Easy and quick to install.

Geberit's experience ensures products are reliable and the best in the category. They are quick and easy to install. All necessary materials and parts are included. Just follow the diagrammatic installation manual.



2. Know-how from Switzerland.

High quality material ensures Geberit is virtually maintenance free. Geberit is the original manufacturer of inwall cisterns since 1964.



3. Most extensive product range on the market.

With our comprehensive product range, nearly every bathroom can benefit from a Geberit inwall cistern and a beautifully crafted flush plate.



4. Excellent customer support to both trade and retail.

Geberit's team of sales and support professionals are eager to assist with all your installation and maintenance questions.



5. Extremely slim design.

Geberit cisterns can fit between studs, even in walls with a 75 mm cavity. Swiss know how and technology has delivered our slimmest inwall cistern ever produced. It may be thin, but includes insulation against condensation and other distinguishing features. The Duofix element for a wall hung pan is capable of supporting 400 kg.



6. Cisterns can be easily serviced through the flush/access plate.

The beautifully designed flush plates, of varying finishes, provide easy access to the moving parts. To make it even easier, we have produced a series of service and installation videos which you can download from our website, geberit.com.au.



7. Flexibility.

Geberit Duofix element can be paired with any WELS approved wall hung toilet pan on the market. Just match the WELS star rating of the cistern and pan.



8. A one piece blow moulded tank for a secure water tight seal.

Geberit is Swiss, so of course you can feel confident in our seamless state of the art manufacturing process. Each tank is pressure tested for absolute water tightness before assembly, we guarantee it.

10 year tank
25 year parts supply
limited warranty

9. Peace of mind.

Geberit offers a 10 year limited warranty on cistern tank and Duofix installation frame and 25 year spare parts supply guarantee (exclusions apply).*



10. Water saving dual-flush system.

Pre-adjusted 4.5/3L or 6/3L to match any toilet pan of the same flush volume.



Servicing is easy via flush/access plate.



All moving parts can be removed through opening.



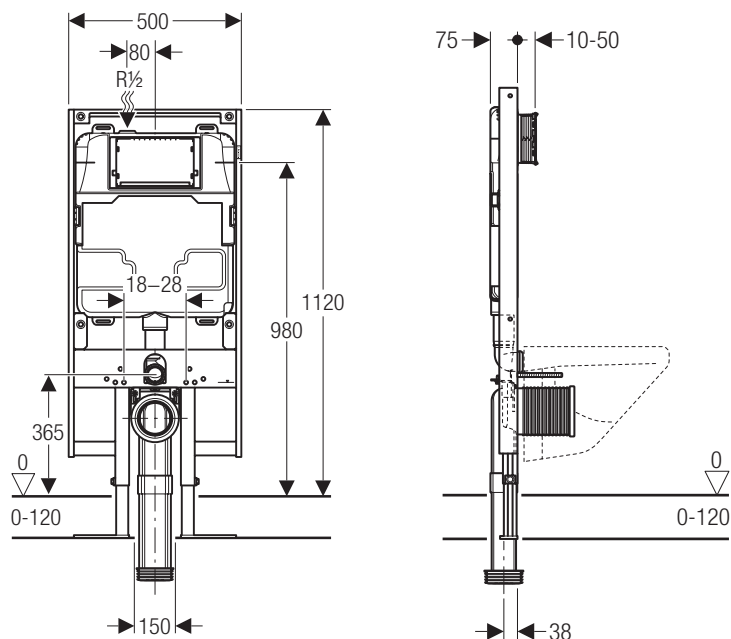
Oval waste connection bend to fit into 75 mm wall.



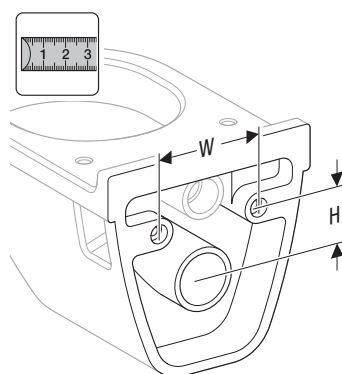
Insulation against condensation.

Installation & specifications

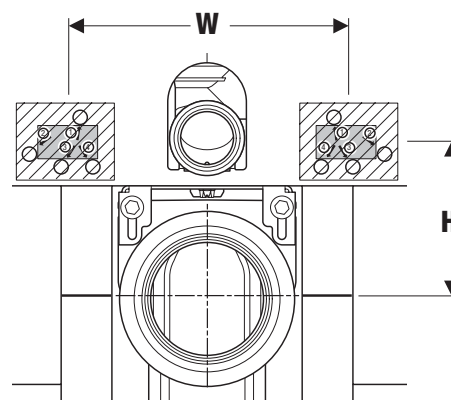
Wall-hung WC installation



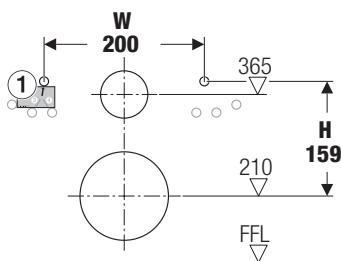
Important Note: The Duofix with Sigma cistern 75 frame is designed to be used with different toilet models. Verify dimension with ceramic supplier for correct adjustment of height, bolts and pan connections.



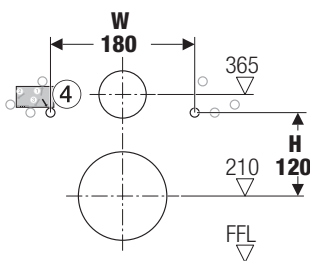
$W =$ _____ mm
 $H =$ _____ mm



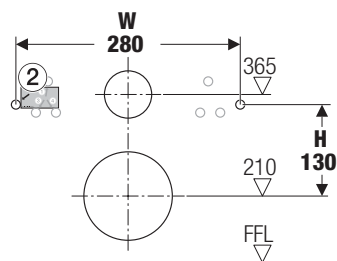
Caroma Walvit



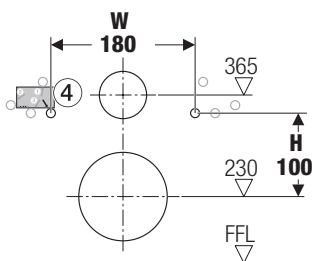
Caroma Cube / Fowler Seido



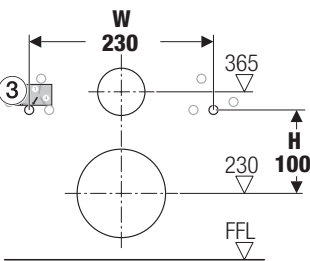
Fowler Lucid



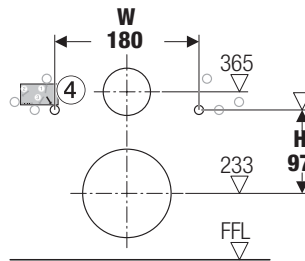
EN-Standard



EN-Standard



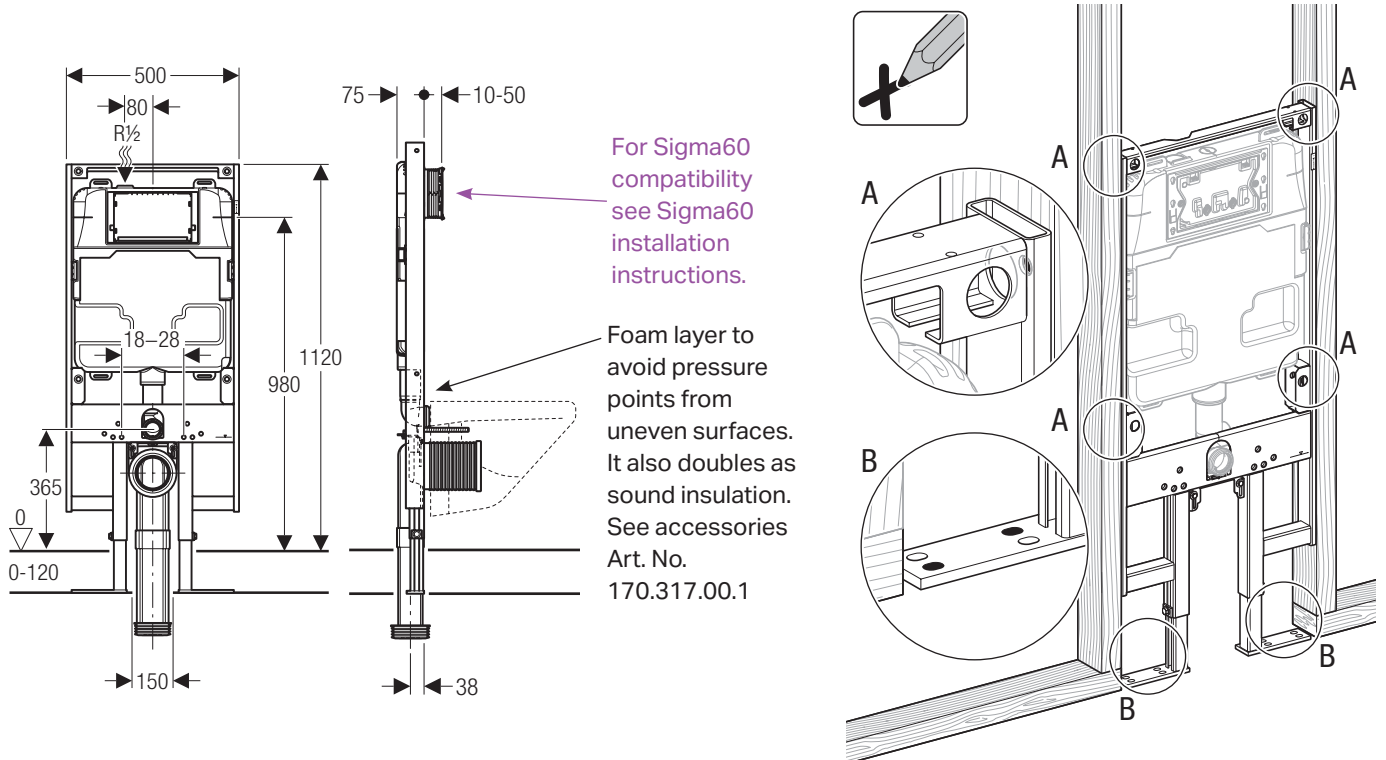
Caroma Metro



Stud wall installation

For additional information see installation instructions.

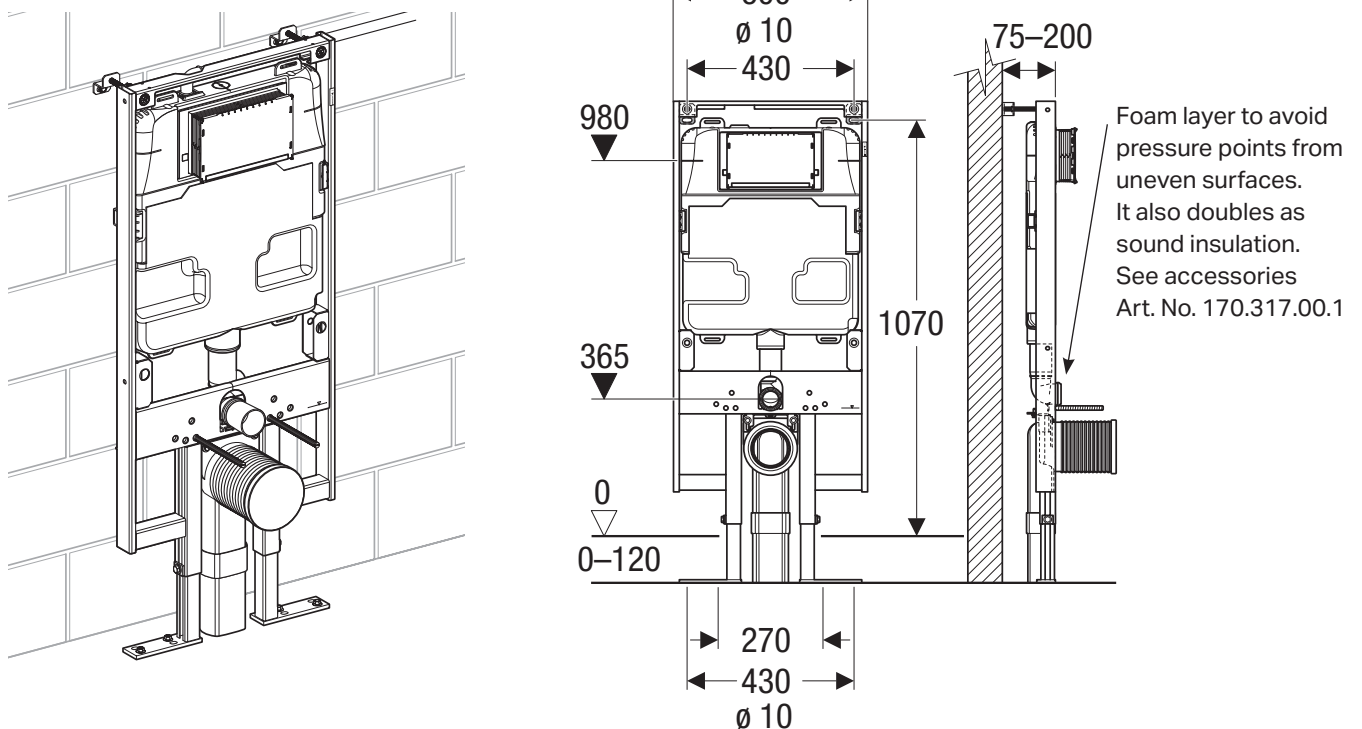
The frame must **to** be flush with the front of the studs.
Fastening through the frame into the studs with the appropriate bolts.



Pre-wall installation onto solid wall

For additional information see installation instructions.

Three types of wall brackets for easy rear fixation (see accessories).



Flush/access plates

The flush/access plate acts as the actuator and provides the access required for the servicing the internal parts of the cistern



Sigma60

Sigma60

115.794.GH.1 Sigma60 dual-flush plate metal, brushed chrome, non protruding



Sigma50

Sigma50

115.788.SD.5 Sigma50, dual-flush plate metal, finish smoked reflective glass

115.788.11.5 Sigma50, dual-flush plate metal, finish white

115.788.DW.5 Sigma50, dual-flush plate metal, finish black

115.788.SE.5 Sigma50, dual-flush plate metal, finish green satinate



Sigma20

Sigma20

115.778.KJ.1 Sigma20 dual-flush plate – white/bright chrome/white

115.778.KL.1 Sigma20 dual-flush plate – white/satin chrome/satin chrome

115.778.KH.1 Sigma20 dual-flush plate – bright chrome/satin chrome/bright chrome

115.778.KN.1 Sigma20 dual-flush plate – satin chrome/bright chrome/satin chrome

115.778.KK.1 Sigma20 dual-flush plate – white/gold/white

115.778.KM.1 Sigma20 dual-flush plate – black/bright chrome/black

115.778.SN.1 Sigma20 dual-flush plate – stainless steel

115.781.SN.1 Sigma20 dual-flush plate – stainless steel, with vandalproof screws



Bolero

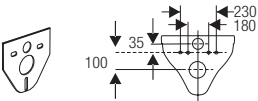
Bolero

115.777.11.1 Bolero dual-flush plate – ASA white

115.777.21.1 Bolero dual-flush plate – ABS bright chrome

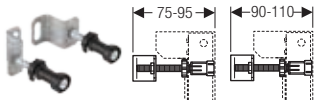
115.777.46.1 Bolero dual-flush plate – ABS satin chrome

Accessories



Contact/sound insulation foam sheet

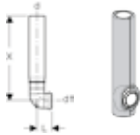
170.317.00.1 Contact/sound insulation foam sheet for wall-hung WC



Duofix wall fastening set

225.167.00.1 Duofix wall fastening set 75-95 mm

242.048.00.1 Duofix wall fastening set 90-110 mm

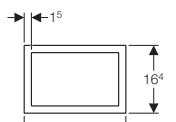


241.294.00.1 Flush bend for brick wall installation



Adjustable frame fastening set

111.815.00.1 Adjustable frame fastening set



Sigma60 cover frame

242.544.GH.1 Sigma60 cover frame

Our slimmest inwall cistern



**Know-how
from
Switzerland**

Inwall cisterns save time, require less tools during installation and can be easily serviced. For your clients, they deliver a sleek, contemporary bathroom with more space. Our new Sigma cistern, at just 75 mm, is the thinnest. Since 1964, Geberit inwall cisterns have stood for quality and reliability. They are easy to install, have a 10 year limited warranty on cistern tank and frame, and a 25 year spare parts supply guarantee and include our water saving dual-flush system. Compatible with any approved manufacturer's pan. Just match the WELS Star rating of the pan and cistern for accurate operation. Geberit is the inwall system you'd install in your own home. → [geberit.com.au](https://www.geberit.com.au)

Geberit Pacific Head Office
Unit 8a, 6-8 Byfield Street
Macquarie Park NSW 2113

T 1800 GEBERIT
F 02 9889 7855
sales.au@geberit.com

→ geberit.com.au



 GEBERIT

In perfect harmony

Geberit flush buttons

 GEBERIT



Perfection. In every detail.

With a Geberit concealed cistern only the flush actuator plate is visible – dual flushing available in either 6/3L or 4.5/3L. The focus here is on reliable functionality, but Geberit also considers design to be of utmost importance. A wide range of design solutions offer different finishes and shapes, providing the aesthetic freedom to create the bathroom you desire.

Completely flush.

Geberit Sigma60

Installed flush with the wall.



Smooth perfection

Geberit Sigma60 can be installed completely flush with the wall. The ultimate streamlined design combines a timeless elegance with technical superiority. The Sigma60 flush plate is compatible with Geberit Sigma concealed cistern 75mm, and respective Duofix version for wall-hung WC (UP320).

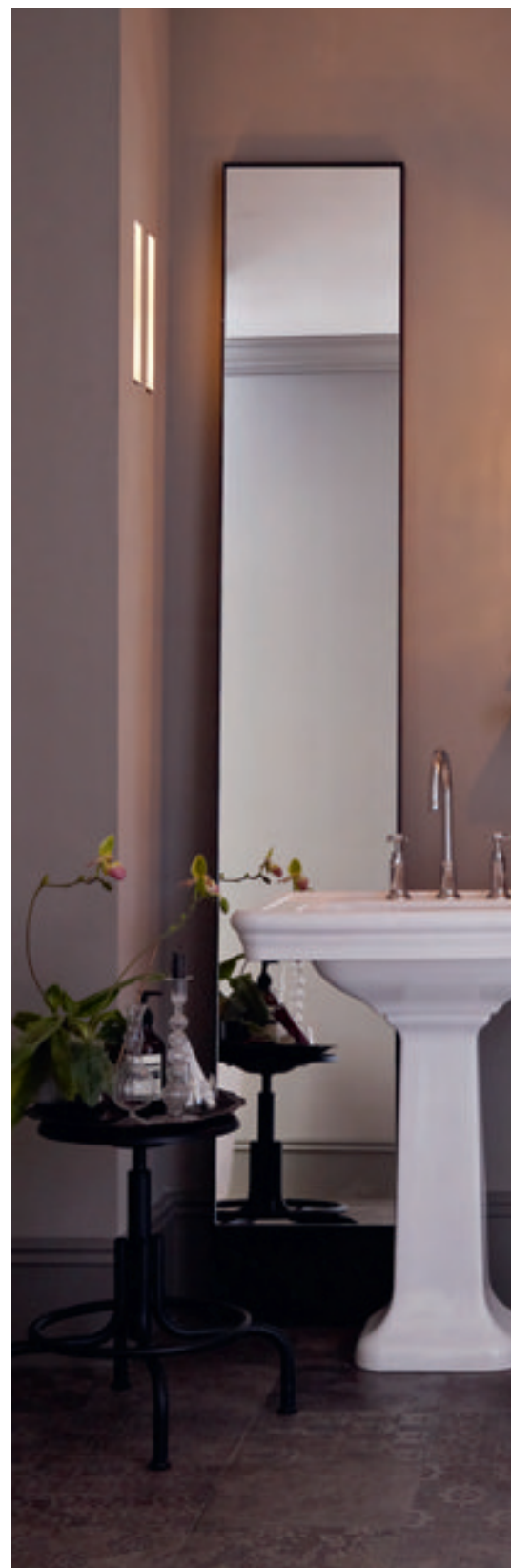


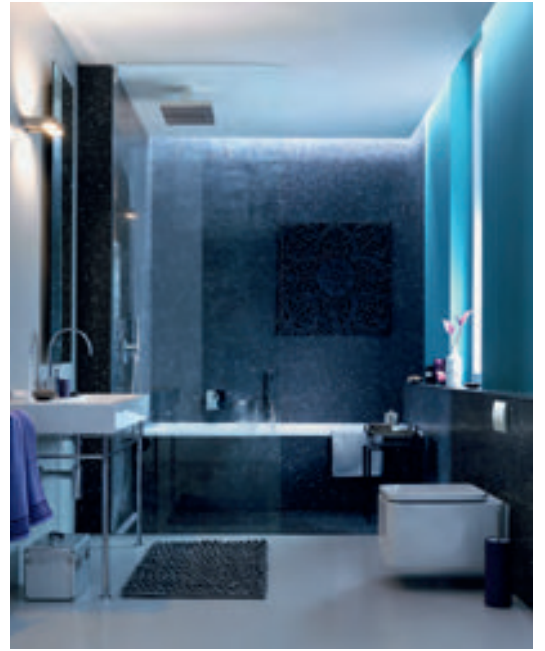
Fit for flexibility.

A few systems.
And endless possibilities.



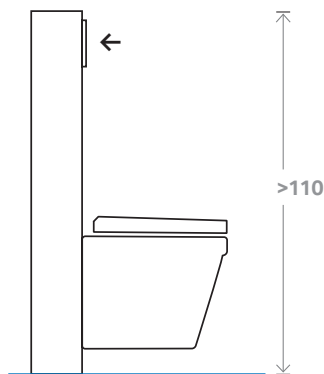
With Geberit there are almost no limitations when deciding about your preferred bathroom layout. Whether it is new construction or retrofit you can install your cistern under counter, in-vanity, pre-wall, inwall or in-duct. The cistern will be installed where you want them to be. Built-in modules create elegance and space. Easy to service pre-wall systems can be used everywhere, offering additional storage possibilities.





Flush plates.

For Geberit Sigma concealed cisterns



- Geberit Sigma concealed cisterns require a construction height of at least 1120 mm
- Wall cavity of min. 75 mm
- Mechanical, front operation
- Geberit inwall cisterns are easy to install, come with a 10 year limited warranty on cistern tank and Duofix frame and 25 year spare parts supply guarantee (exclusions apply).*

Sigma20

- Flush technology: dual flush
- Outer dimensions: 246 mm x 164 mm



- 115.778.KJ.1
- Product material: plastic
- white/bright chrome/white**



- 115.778.KL.1
- Product material: plastic
- white/satin chrome/satin chrome**



- 115.778.KM.1
- Product material: plastic
- black/bright chrome/black**



- 115.778.KH.1
- Product material: plastic
- bright/satin/bright chrome**



- 115.778.KN.1
- Product material: plastic
- satin/bright/satin chrome**



- 115.778.SN.1
- Product material: stainless steel
- stainless steel brushed/pol./br.**

Sigma50

- Flush technology: dual flush
- Outer dimensions: 246 mm x 164 mm



- 115.788.11.5
- Brushed metal button
- white finish**



- 115.788.EP.5
- Brushed metal button
- pergamon finish**



- 115.788.SE.5
- Brushed metal button
- green glass finish**



- 115.788.DW.5
- Brushed metal button
- black finish**



- 115.788.SD.5
- Brushed metal button
- mirror glass finish**



- 115.788.SC
- Brushed metal button
- white glass finish w. ornamental pattern**



- 115.788.SQ.5
- Brushed metal button
- brown glass finish**

* For detailed information on our manufacturer's warranty refer to our website
→ www.geberit.com.au or contact Geberit on 02 9889 7866.

Sigma60

- Installed flush with the wall
- Flush technology: dual flush
- Outer dimensions: 221 mm x 139 mm

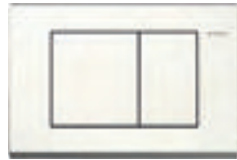


Only for Geberit Sigma concealed cisterns
75mm
→ 115.794.GH.1
Product material:
die-cast zinc
brushed chrome

NOTE: Sigma60 requires minimum 18mm wall lining.

Bolero

- Flush technology: dual flush
- Outer dimension: 246 mm x 164 mm



→ 115.777.11.1
Product material: plastic
white



→ 115.777.21.1
Product material: plastic
bright chrome

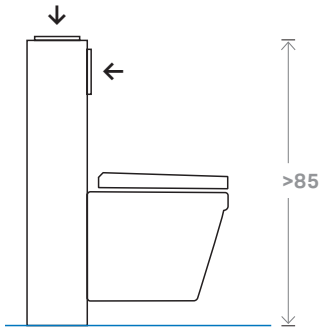


→ 115.777.46.1
Product material: plastic
satin chrome



Flush plates.

For Geberit Kappa concealed cisterns (UP120).



- Geberit Kappa concealed cisterns (UP120) require a construction height of at least 820 mm
- Wall cavity of min. 180 mm
- Mechanical front/top or pneumatic remote operation
- Guaranteed availability of spare parts for 25 years

Kappa20

- Flush technology: dual flush
- Outer dimensions: 213 mm x 142 mm



- 115.228.11.1
- Product material: plastic
- white**



- 115.228.46.1
- Product material: plastic
- satin chrome**



- 115.228.21.1
- Product material: plastic
- bright chrome**



- 115.228.KB.1
- Product material: plastic
- bright chrome/bright chr. struct.**



- 115.228.DW.1
- Product material: plastic
- black RAL 9005**



- 115.228.GM.1
- Product material: plastic
- satin**

Kappa21

- Flush technology: dual flush
- Outer dimensions: 212 mm x 142 mm



- 115.240.KJ.1
- Product material: plastic
- white/bright chrome/white**



- 115.240.KL.1
- Product material: plastic
- white/satin chrome/satin chrome**



- 115.240.KM.1
- Product material: plastic
- black/bright chrome/black**



- 115.240.KH.1
- Product material: plastic
- bright/satin/bright chrome**



- 115.240.KN.1
- Product material: plastic
- satin/bright/satin chrome**

Kappa50

- Flushtechnology: dual flush
- Outerdimensions: 211 mm x 142 mm



- 115.260.11.1
- Product material: die-cast zinc
white



- 115.260.21.1
- Product material: die-cast zinc
bright chrome



- 115.260.46.1
- Product material: die-cast zinc
satin chrome



- 115.258.00.1
- Product material: stainless steel
stainless steel brushed

Kappa Pneumatic

- Flushtechnology: dual flush
- Outerdimensions: 205 mm x 140 mm

Note: Suits only Sigma Pneumatic cisterns
109.752.00.1 and 109.753.00.1

- 117.022.00.1
- Product material: stainless steel
stainless steel, brushed

- 117.022.21.1
- Product material: metal
bright chrome

- 117.022.KA.1
- Product material: metal
bright chrome/satin chrome

NEW Sigma Pneumatic

- Flushtechnology: dual flush
- Outerdimensions: 129 mm x 74 mm

Note: Suits only Sigma Pneumatic cisterns
109.754.00.1 and 109.755.00.1



- 115.932.KS.1
- Product material: metal
bright/satin chrome



- 115.932.KV.1
- Product material: plastic
black/satin chrome



- 115.932.KT.1
- Product material: plastic
white/satin chrome



- 115.932.KA.1
- Product material: plastic
bright/satin chrome



Geberit Head Office
Unit 8a, 6-8 Byfield Street
Macquarie Park
NSW 2113

T 1800 GEBERIT
P +61 02 9889 7866
F +61 02 9889 7855
sales.au@geberit.com

→ www.geberit.com.au

Avalibale in:



BELLA BAGNO
BATHROOM HOUSE

Let your bathroom speak Italian

Combining elegance and functionality

Geberit Monolith WC Module



Know-how
from
Switzerland



A design solution that adapts easily to existing drains.

Geberit Monolith WC Module is an elegant sanitary module for WCs with an integrated cistern that can be quickly installed using existing connections and drains. Combining simple, sophisticated design with high quality materials, Geberit Monolith WC Module creates a harmonious interaction between bathroom and ceramic pan. Easily installed and maintained without the need for structural alterations, Geberit Monolith WC Module provides a stylish addition to your bathroom sanctuary.

Scope of supply

Frame, Cistern tank, mounting hardware, Front/Side cladding (Glass & Aluminum or Plastic), Complete water connection set 1/2" & 3/8", Complete waste water connection set, 2 kee seals and mounting instructions.



iF Product Design Award

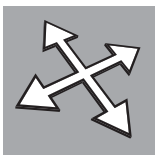
The iF product design award has been a seal of quality for outstanding industrial design since 1953. Awarded by international experts the iF logo stands for outstanding, tried-and-tested design quality.

Advantages at a glance



Plug & Play

Geberit Monolith WC Module can be connected to existing drains and water supply connections without the need for structural modifications in most bathrooms. No chiselling, no tiling, no rubble. Installation of the entire system is completed in a single operation and requires no assistance from other tradesmen. This means the toilet is ready for use again after a matter of hours.



Flexibility

Geberit Monolith WC Module fits into any construction situation. It is modular in design and easily compensates for building tolerances. The same flexibility applies to the drain: Geberit Monolith WC Module is quickly and easily connected to the floor waste inlet.



Top quality

The sanitary module is made of premium material including safety glass and aluminium. The technical components are finished to the superior standards you expect of Geberit.



Low maintenance

Valves are directly accessible for easy maintenance. All components match Geberit's own high quality standards and availability of spare parts is guaranteed for years to come.



Versatility

Geberit Monolith WC Module can be combined with many types of ceramic pans for floor-standing toilets.



Models and features



Glass, mint green (SK) coated



Glass, black (SJ) coated



Glass, white (SI) coated

Glass edges	ground	polished	polished
Side	White	Brushed aluminium	Brushed aluminium
Applications	– Floor-standing WC for installation flush with wall	– Floor-standing WC for installation flush with wall	– Floor-standing WC for installation flush with wall



Watermark approval - C of C 4000 – WELS approval and rating of 3Star

131.005.SI.1	Monolith BTW WC, white/aluminium, 6/3L AU
131.005.SJ.1	Monolith BTW WC, black/aluminium, 6/3L AU
131.005.SK.1	Monolith BTW WC, green/white, 6/3L AU



Watermark approval - C of C 4000 – WELS approval and rating of 4Star

131.006.SI.1	Monolith BTW WC, white/aluminium, 4.5/3L AU
131.006.SJ.1	Monolith BTW WC, black/aluminium, 4.5/3L AU
131.006.SK.1	Monolith BTW WC, green/white, 4.5/3L AU



Main applications

For floor-standing, back to wall WC pans
 Online catalogue from Geberit www.geberit.com.au



Accessories



131.082.16.1 S Bend connection set 90 mm complete



131.083.16.1 P trap connector with collar 90 mm



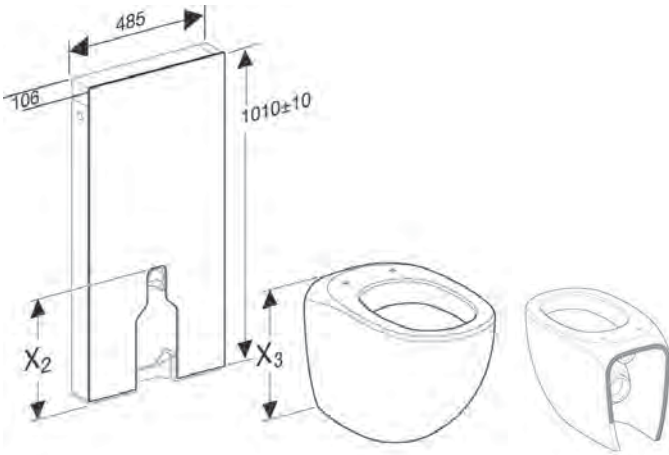
131.073.00.1 Bottom water connection set complete



131.081.11.1 Waste connection set complete

Installation

Geberit Monolith sanitary WC module is an innovative product which offers fast and near dirt free renovation with back to wall pan. The cistern can be installed without impacting walls or structural elements of a bathroom as existing water and waste connection points can be utilised.



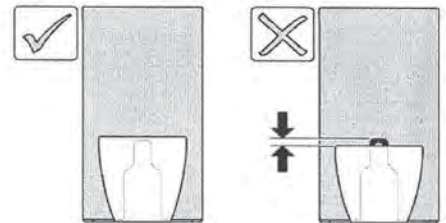
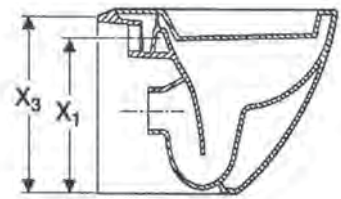
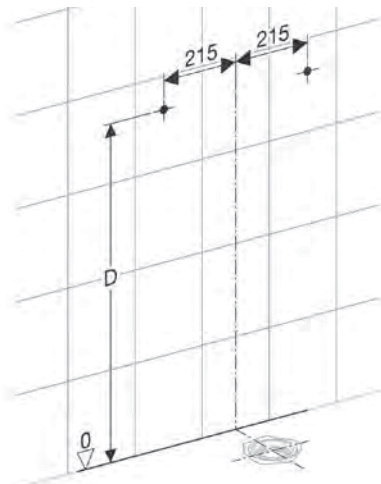
Geberit Monolith WC Module can be paired with most back to wall pans.

Important:

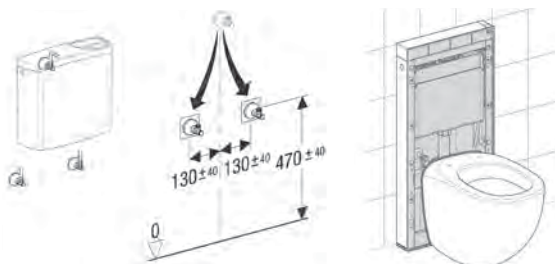
- > Check supplier's specification.
- > Pan needs to be open and unrestricted at the rear.

X ₁	D	X ₂
320-335	910	375
340	910	380
345	910	385
350	910	390

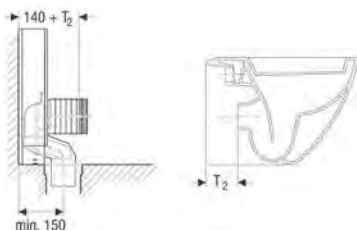
Finished Floor Level to the centre of the flush pipe must be between 320-350 mm range.



Ensure that pan height is greater than glass cut out by at least 5 mm



Water connection point may have to be altered to fit inside the frame perimeter



Waste connection measurements in conjunction with P-bend

For waste connections < 150mm use Art. No. 131.082.16.1 WC S-bend Connector Set

Geberit Pacific Head Office
Unit 8a
6-8 Byfield Street
Macquarie Park NSW 2113
Australia

T: +61 2 9889 7866

F: +61 2 9889 7855

E: sales.au@geberit.com

→ www.geberit.com.au